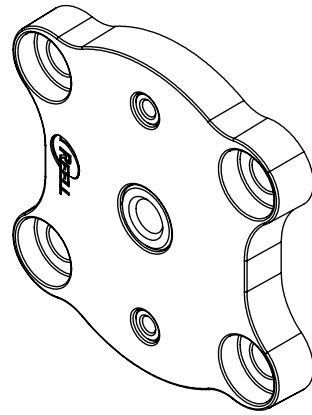
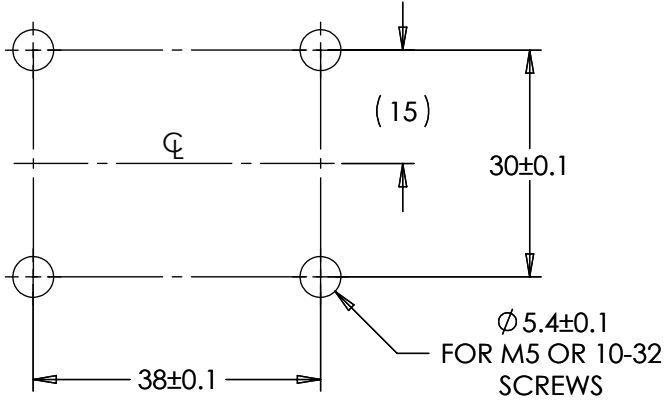


AMPS MOUNTING CONFIGURATION

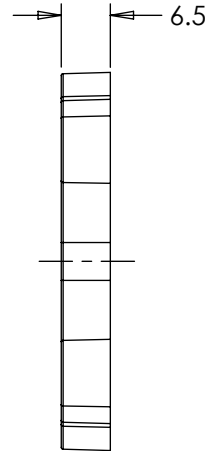
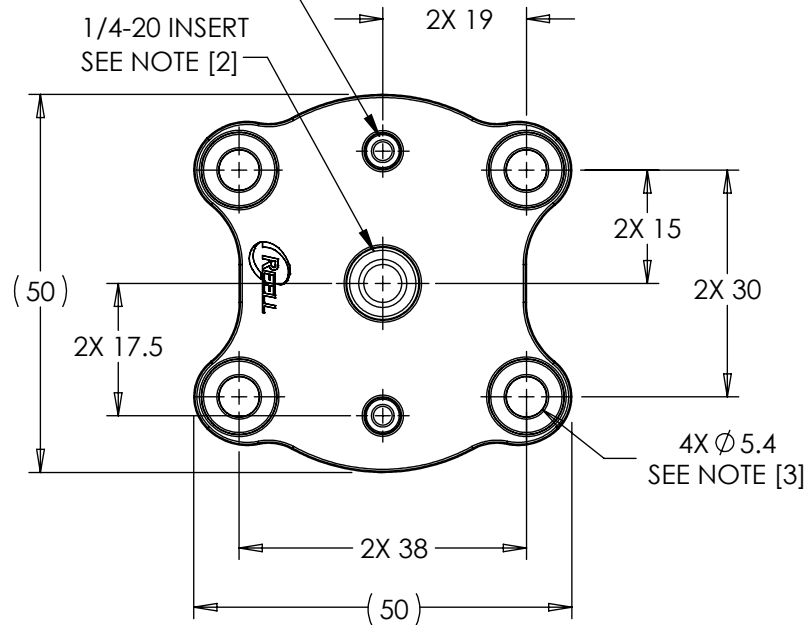


NOTES:

1. USER MUST DETERMINE FITNESS FOR USE IN APPLICATION.
- [2] DESIGNED FOR USE WITH SJ-300-X.XX-02-01 ATTACHED VIA 1/4-20 THREADED SHAFT OR USING QTY (2) 10MM M3 SCREWS (PROVIDED BY USER).
- [3] DESIGNED TO ACCEPT M5 OR 10-32 SCREWS FOR QTY (4) AMPS ADAPTER PLATE HOLES (PROVIDED BY USER). USER MUST DETERMINE LENGTH OF SCREWS FOR USE IN APPLICATION.
4. MATERIAL SUMMARY:
 AMPS ADAPTER PLATE: GLASS FILLED NYLON
 INSERTS: ALUMINUM

2X M3 INSERT
SEE NOTE [2]

1/4-20 INSERT
SEE NOTE [2]

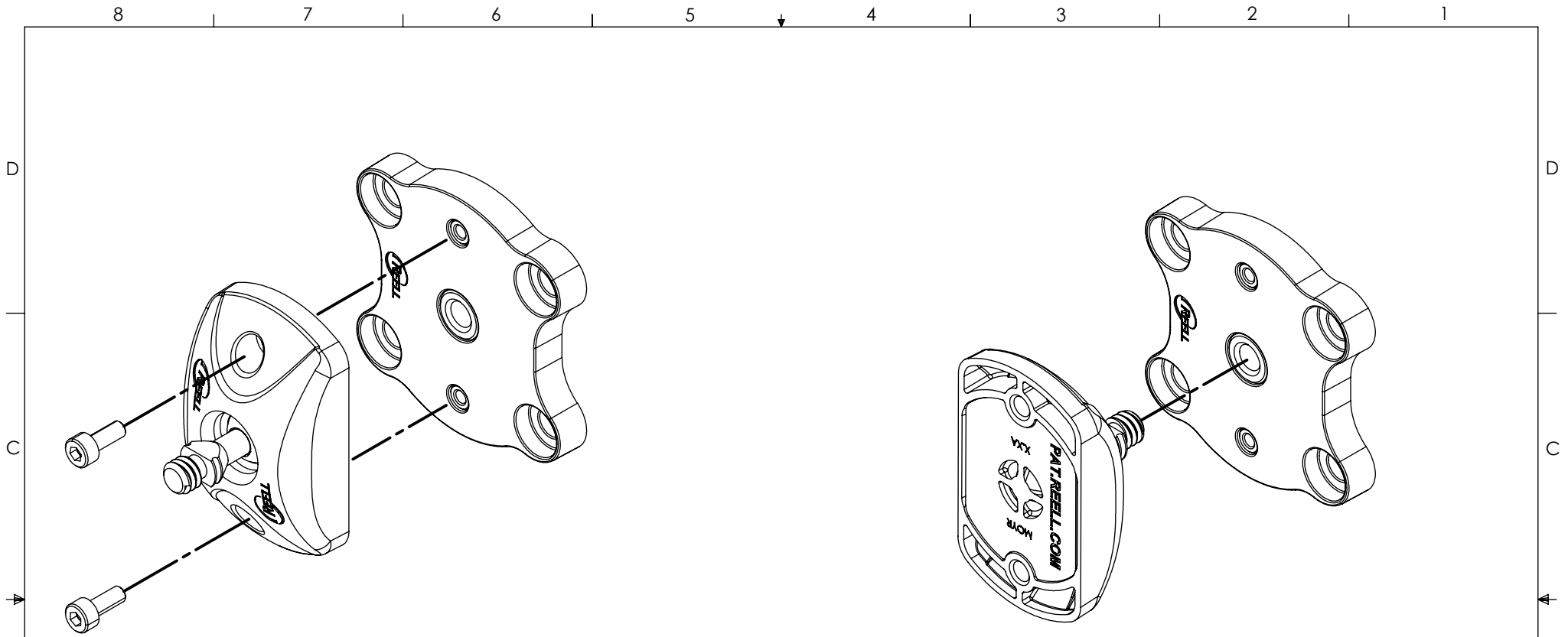


**CATALOG CODE
SJ-300-AMPS**

ALL DIMENSIONS REFERENCE
SEE CAD MODEL FOR UNSPECIFIED FEATURES.


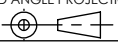
SPECIFICATIONS SUBJECT TO CHANGE

	ECO NO: 03665	PART LIFECYCLE: RELEASED		
	APPROVED BY: DERICK OFFOR	DEVELOPMENT CYCLE: PRODUCTION		
	APPROVED DATE: 09 APR 21	DESCRIPTION:		
	PROJECT NO: 101309	SALES DRAWING		
REELL PRECISION MANUFACTURING 1259 WILLOW LAKE BOULEVARD SAINT PAUL, MINNESOTA 55110-5103, USA	ENGINEER: DERICK OFFOR	SJ-300-AMPS		
THIS PRINT IS THE CONFIDENTIAL PROPERTY OF REELL PRECISION MFG.	DRAWN BY: DERICK OFFOR			PART NO: SJ-300-AMPS
INTERPRET PRINT PER ASME Y14.5M-2009	THIRD ANGLE PROJECTION 	SCALE: 1:1	DO NOT SCALE DRAWING	SHEET 1 OF 2



AMPS ADAPTER PLATE ATTACHED VIA M3 SCREWS
SEE NOTE [2]

AMPS ADAPTER PLATE ATTACHED VIA 1/4-20 THREADED SHAFT
SEE NOTE [2]

	ECO NO: 03665	PART LIFECYCLE: RELEASED		
	APPROVED BY: DERICK OFFOR	DEVELOPMENT CYCLE: PRODUCTION		
	APPROVED DATE: 09 APR 21	DESCRIPTION:		
	PROJECT NO: 101309	<h1>SALES DRAWING</h1>		
REELL PRECISION MANUFACTURING 1259 WILLOW LAKE BOULEVARD SAINT PAUL, MINNESOTA 55110-5103, USA	ENGINEER: DERICK OFFOR	PART NO: SJ-300-AMPS REV: A		
THIS PRINT IS THE CONFIDENTIAL PROPERTY OF REELL PRECISION MFG.	DRAWN BY: DERICK OFFOR			
INTERPRET PRINT PER ASME Y14.5M-2009	THIRD ANGLE PROJECTION 	SCALE: 1:1	DO NOT SCALE DRAWING	SHEET 2 OF 2